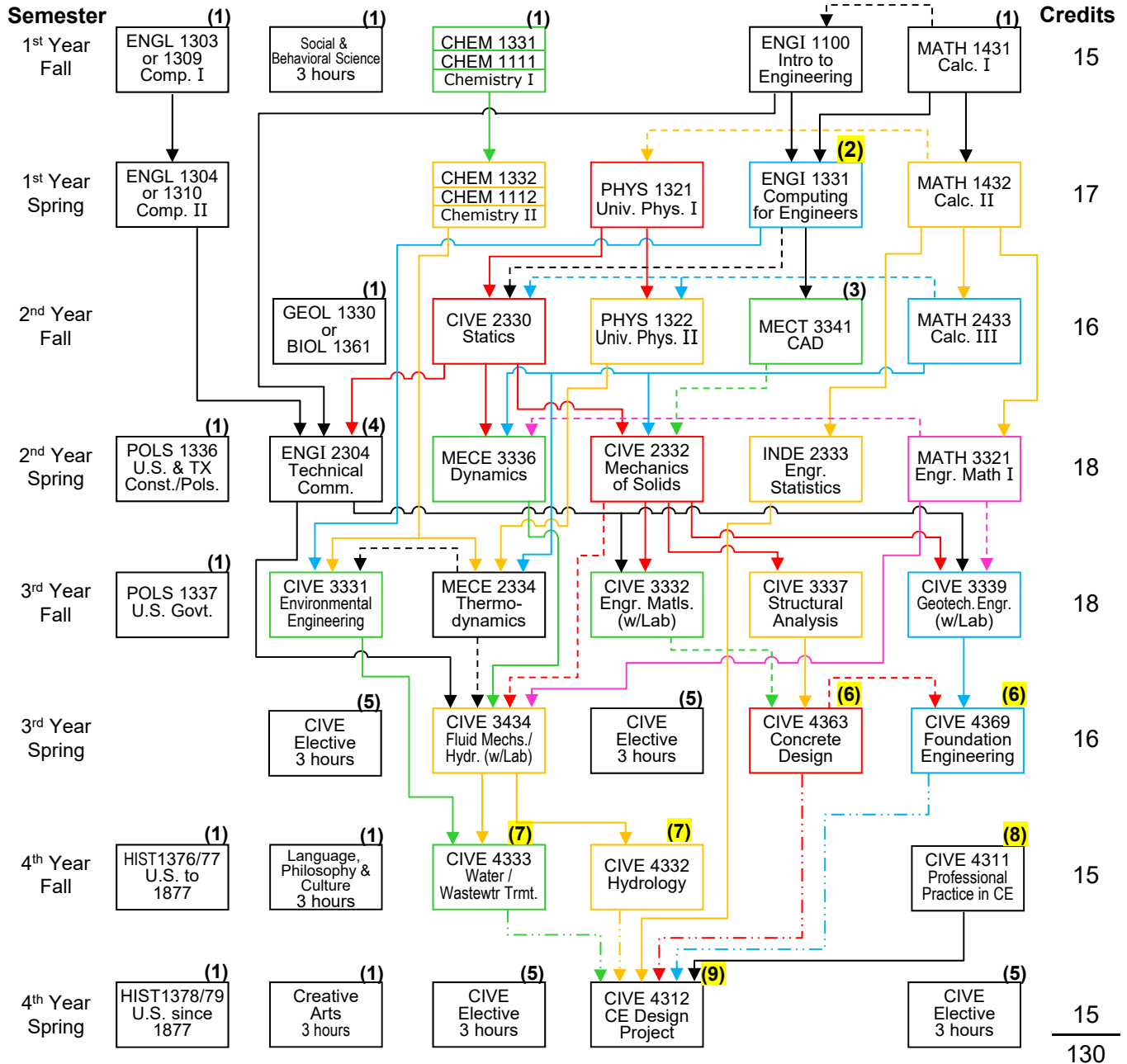


# UH Department of Civil and Environmental Engineering BSCE Degree Program Flow Chart

Revised 07/20/20

(for students admitted to UH BSCE major from Fall 2015 on)



- This flowchart is only an aid for degree planning. Consult Undergraduate Catalog for official requirements & requisites. Leniency on some requisites communicated via this flow chart and list of CIVE Elective Offerings available at department webpage.
- When course requisites in catalog change new requirements apply to all students.

**Footnotes:**

- (1) Check requisites in Undergraduate Catalog. Refer to catalog "Policies" for information on equivalents and substitutions, opportunities for credit through examination, etc.
- (2) Must also complete CHEM 1331 or PHYS 1321 with C- or higher before taking ENGI 1331 Computing.
- (3) COSC 1304 is listed as prereq in Undergrad Catalog but ENGI 1331 Computing is allowed as substitute for engineering majors.
- (4) Can also meet prerequisite requirement with ENGI 1100 + ENGI 1331 + INDE 2333.
- (5) BSCCE requires four CIVE electives chosen with advisor approval. Upper-level students with overall and major GPAs  $\geq 3.0$  may seek permission to count up to two CIVE graduate classes as electives (requires approval of Undergraduate and Graduate Directors as well as instructor). One related, approved 3000 or higher level course outside CIVE may be substituted for an elective - see approved substitute list at [www.cive.uh.edu](http://www.cive.uh.edu). **All** electives have prerequisites - see catalog.
- (6) Only guaranteed to be offered in **spring** semesters. CIVE 3332 can be taken as a co-requisite to CIVE 4363 but not CIVE 4312.
- (7) Only guaranteed to be offered in **fall** semesters.
- (8) Prerequisites for CIVE 4311 Prof Practice in Civil Engr are ENGI 2304 Tech Comm and any two CIVE 3000-level courses.
- (9) INDE 2333 and CIVE 4311 prereqs every semester. CIVE 4332, 4333, 4363 and 4369 are listed as prereqs in catalog, but in fall semesters allowing CIVE 4332 and 4333 as coreqs with CIVE 4363 and 4369 as prereqs and in spring semesters allowing CIVE 4363 and 4369 as coreqs with CIVE 4332 and 4333 as prereqs. (Note - allowing CIVE 3332 as co-req for CIVE 4363 but CIVE 3332 remains prereq for CIVE 4312.)

Colors are used on the flowchart simply to improve clarity where lines overlap.

